

Inductive sensor

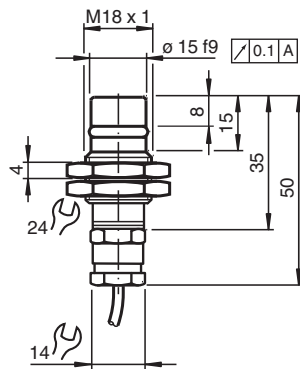
NJ1,5-18GM-N-D



- 1.5 mm flush
- Compression proof up to 350 bar, dynamic on active surface
- Usable up to SIL 2 acc. to IEC 61508



Dimensions



Technical Data

| General specifications | | |
|------------------------------|-------|--------------------------------------|
| Switching function | | Normally closed (NC) |
| Output type | | NAMUR |
| Rated operating distance | s_n | 1.5 mm |
| Installation | | flush |
| Assured operating distance | s_a | 0 ... 1.22 mm |
| Reduction factor r_{AI} | | 0 |
| Reduction factor r_{Cu} | | 0 |
| Reduction factor r_{304} | | 0.55 |
| Output type | | 2-wire |
| Nominal ratings | | |
| Nominal voltage | U_o | 8.2 V (R_i approx. 1 k Ω) |
| Switching frequency | f | 0 ... 400 Hz |
| Hysteresis | H | typ. % |
| Current consumption | | |
| Measuring plate not detected | | min. 3 mA |
| Measuring plate detected | | ≤ 1 mA |

Release date: 2023-01-26 Date of issue: 2023-01-26 Filename: 70133016_eng.pdf

Refer to "General Notes Relating to Pepperl+Fuchs Product Information".

Pepperl+Fuchs Group
www.pepperl-fuchs.com

USA: +1 330 486 0001
fa-info@us.pepperl-fuchs.com

Germany: +49 621 776 1111
fa-info@de.pepperl-fuchs.com

Singapore: +65 6779 9091
fa-info@sg.pepperl-fuchs.com

PF PEPPERL+FUCHS

Technical Data

| | | |
|---|---|---|
| Limit data | | |
| Operating pressure | | 350 bar (5076.4 psi) |
| Functional safety related parameters | | |
| Safety Integrity Level (SIL) | | SIL 2 |
| MTTF _d | | 10880 a |
| Mission Time (T _M) | | 20 a |
| Diagnostic Coverage (DC) | | 0 % |
| Compliance with standards and directives | | |
| Standard conformity | | |
| NAMUR | | EN 60947-5-6:2000 IEC 60947-5-6:1999 |
| Standards | | EN 60947-5-2:2007 EN 60947-5-2/A1:2012 IEC 60947-5-2:2007 IEC 60947-5-2 AMD 1:2012 |
| Approvals and certificates | | |
| IECEX approval | | |
| Equipment protection level Gb | | IECEX PTB 11.0037X |
| Equipment protection level Da | | IECEX PTB 11.0037X |
| Equipment protection level Mb | | IECEX PTB 11.0037X |
| ATEX approval | | |
| Equipment protection level Gb | | PTB 00 ATEX 2048 X |
| Equipment protection level Da | | PTB 00 ATEX 2048 X |
| FM approval | | |
| Control drawing | | 116-0165 |
| UL approval | | cULus Listed, General Purpose |
| CCC approval | | |
| Hazardous Location | | 2020322315002255 |
| NEPSI approval | | |
| NEPSI certificate | | GYJ16.1393X |
| ANZEx | | 18.3018X |
| KCC approval | | |
| Hazardous Location | | 19-AV4BO-0227 |
| Ambient conditions | | |
| Ambient temperature | | -25 ... 85 °C (-13 ... 185 °F) |
| Mechanical specifications | | |
| Connection type | | cable |
| Housing material | | Stainless steel 1.4305 / AISI 303 |
| Sensing face | | Ceramic |
| Degree of protection | | IP66 / IP68 |
| Cable | | |
| Cable diameter | | 4.8 mm ± 0.2 mm |
| Bending radius | | > 10 x cable diameter |
| Material | | PVC |
| Core cross section | | 0.34 mm ² |
| Length | L | 2 m |
| General information | | |
| Use in the hazardous area | | see instruction manuals |

Release date: 2023-01-26 Date of issue: 2023-01-26 Filename: 70133016_eng.pdf

Connection



Release date: 2023-01-26 Date of issue: 2023-01-26 Filename: 70133016_eng.pdf

Refer to "General Notes Relating to Pepperl+Fuchs Product Information".

Pepperl+Fuchs Group
www.pepperl-fuchs.com

USA: +1 330 486 0001
fa-info@us.pepperl-fuchs.com

Germany: +49 621 776 1111
fa-info@de.pepperl-fuchs.com

Singapore: +65 6779 9091
fa-info@sg.pepperl-fuchs.com

 **PEPPERL+FUCHS**

Installation

Note

Please refer to the technical information about this product at www.pepperl-fuchs.com. This information describes the necessary geometry of the installation space!